

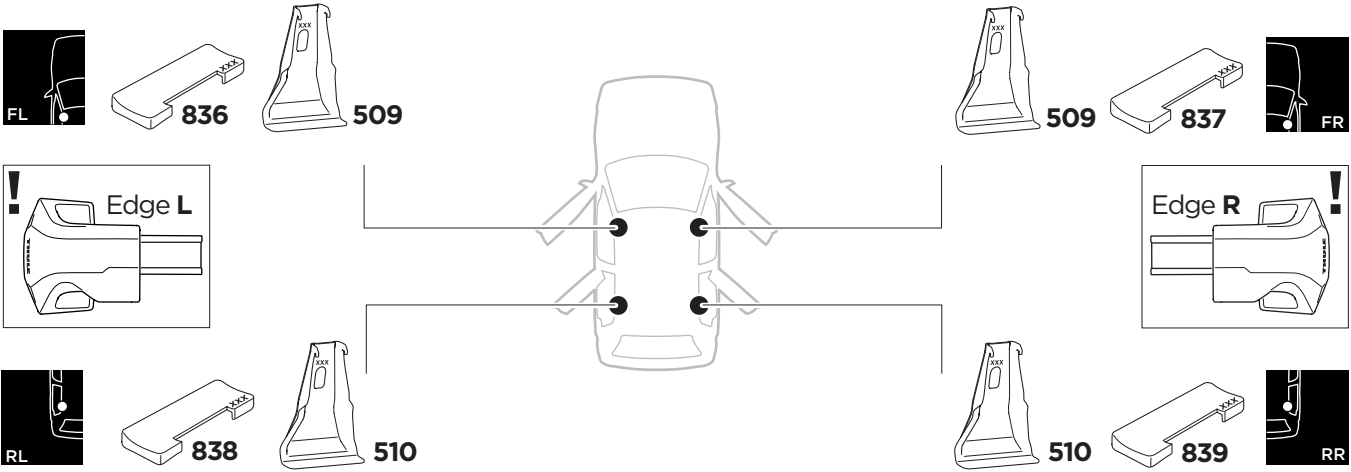
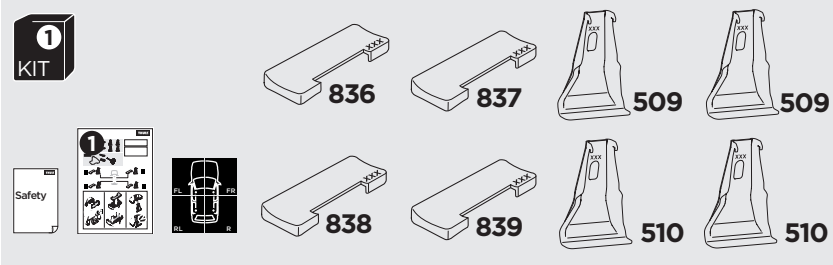
# 1

## Kit 145297

NISSAN Sentra, 4-dr Sedan, 20-



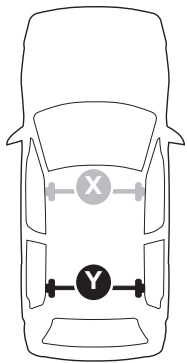
ISO 11154-E





THULE WingBar Evo	THULE WingBar Edge	THULE WingBar	THULE SquareBar Evo	<b>Evo X (scale)</b>	<b>Edge X (scale)</b>
<b>NISSAN Sentra, 4-dr Sedan, 20-</b>				<b>40</b>	<b>Q</b>

THULE ProBar Evo	THULE SlideBar Evo	<b>X (mm/inch)</b>		
<b>NISSAN Sentra, 4-dr Sedan, 20-</b>		<b>1051 mm / 41 3/8"</b>		



THULE WingBar Evo	THULE WingBar Edge	THULE WingBar	THULE SquareBar Evo	<b>Evo Y (scale)</b>	<b>Edge Y (scale)</b>
<b>NISSAN Sentra, 4-dr Sedan, 20-</b>				<b>34</b>	<b>K</b>

THULE ProBar Evo	THULE SlideBar Evo	<b>Y (mm/inch)</b>		
<b>NISSAN Sentra, 4-dr Sedan, 20-</b>		<b>991 mm / 39"</b>		

	<b>W (mm/inch)</b>	<b>Z (mm/inch)</b>
<b>NISSAN Sentra, 4-dr Sedan, 20-</b>	<b>700 mm / 27 1/2"</b>	<b>250 mm / 9 7/8"</b>

