

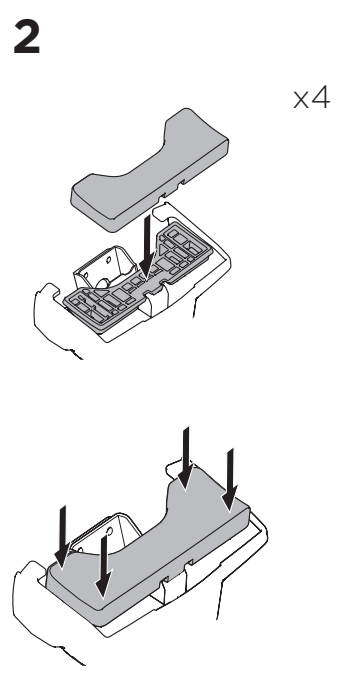
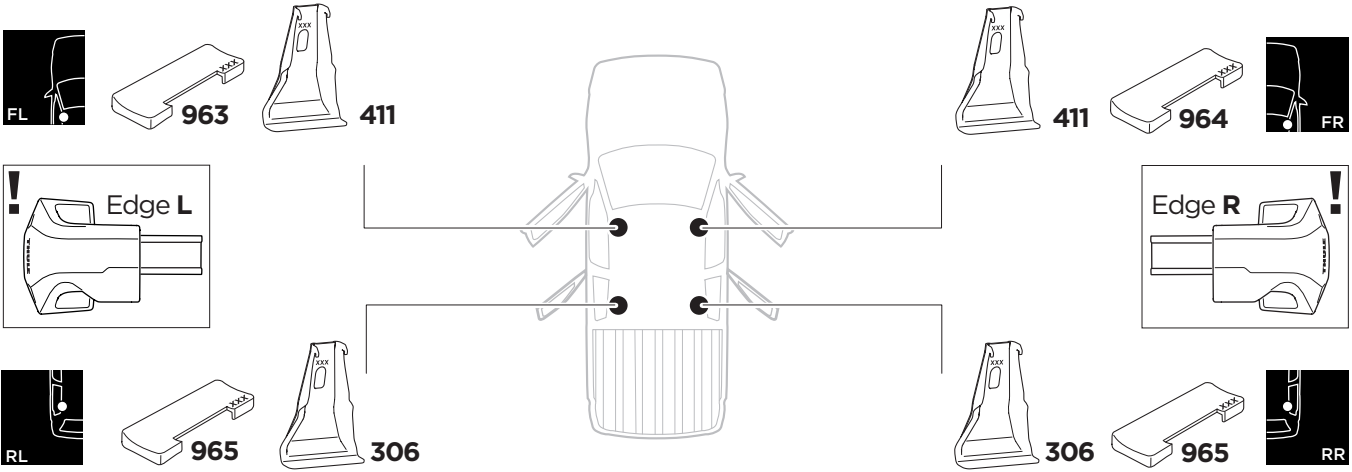
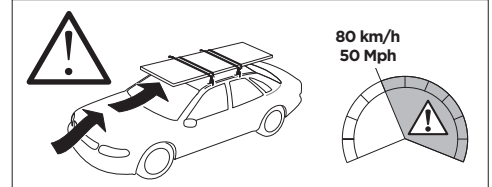
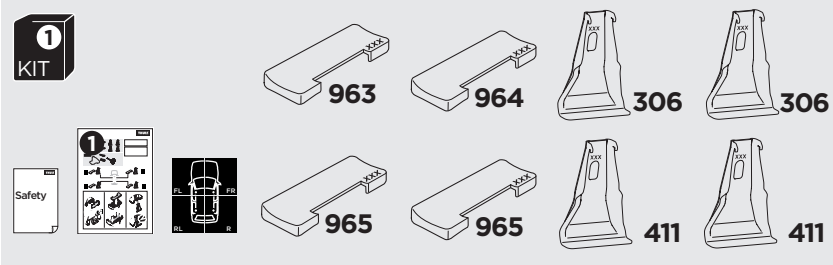
# 1

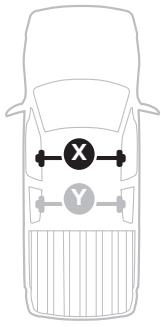
## Kit 145340

MAXUS eT90, 4-dr Pickup, 22-  
MAXUS T90, 4-dr Pickup, 22-



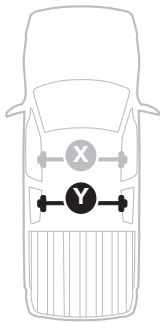
ISO 11154-E





THULE WingBar Evo	THULE WingBar Edge	THULE WingBar	THULE SquareBar Evo	Evo X (scale)	Edge X (scale)
MAXUS eT90, 4-dr Pickup, 22-				44,5	H
MAXUS T90, 4-dr Pickup, 22-				44,5	H

THULE ProBar Evo	THULE SlideBar Evo	X (mm/inch)
MAXUS eT90, 4-dr Pickup, 22-		1096 mm / 43 1/8"
MAXUS T90, 4-dr Pickup, 22-		1096 mm / 43 1/8"



THULE WingBar Evo	THULE WingBar Edge	THULE WingBar	THULE SquareBar Evo	Evo Y (scale)	Edge Y (scale)
MAXUS eT90, 4-dr Pickup, 22-				43	K
MAXUS T90, 4-dr Pickup, 22-				43	K

THULE ProBar Evo	THULE SlideBar Evo	Y (mm/inch)
MAXUS eT90, 4-dr Pickup, 22-		1081 mm / 42 1/2"
MAXUS T90, 4-dr Pickup, 22-		1081 mm / 42 1/2"

	W (mm/inch)	Z (mm/inch)
MAXUS eT90, 4-dr Pickup, 22-	700 mm / 27 1/2"	330 mm / 13"
MAXUS T90, 4-dr Pickup, 22-	700 mm / 27 1/2"	330 mm / 13"

