

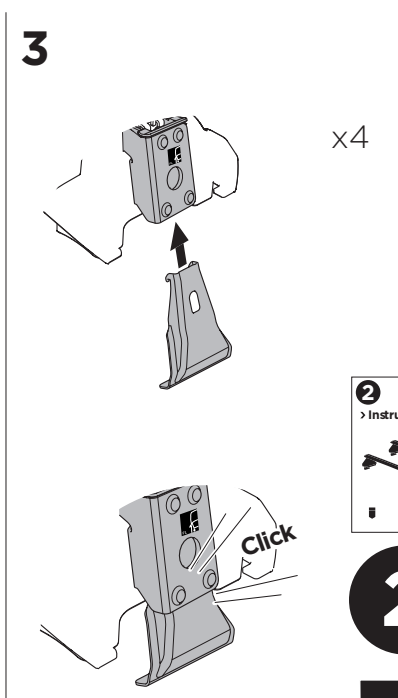
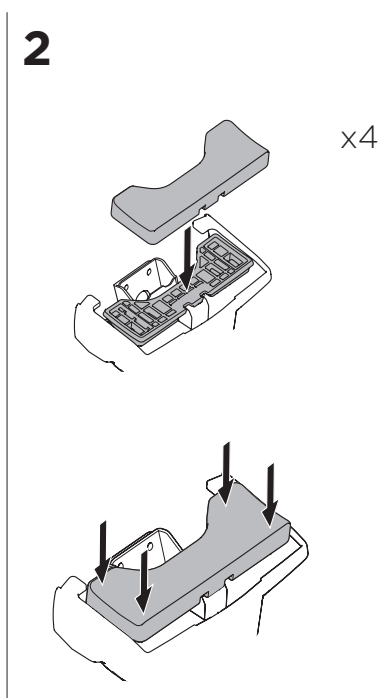
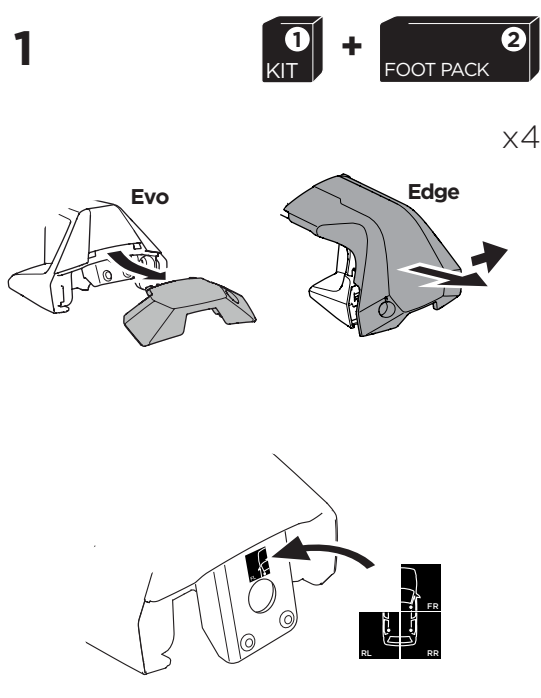
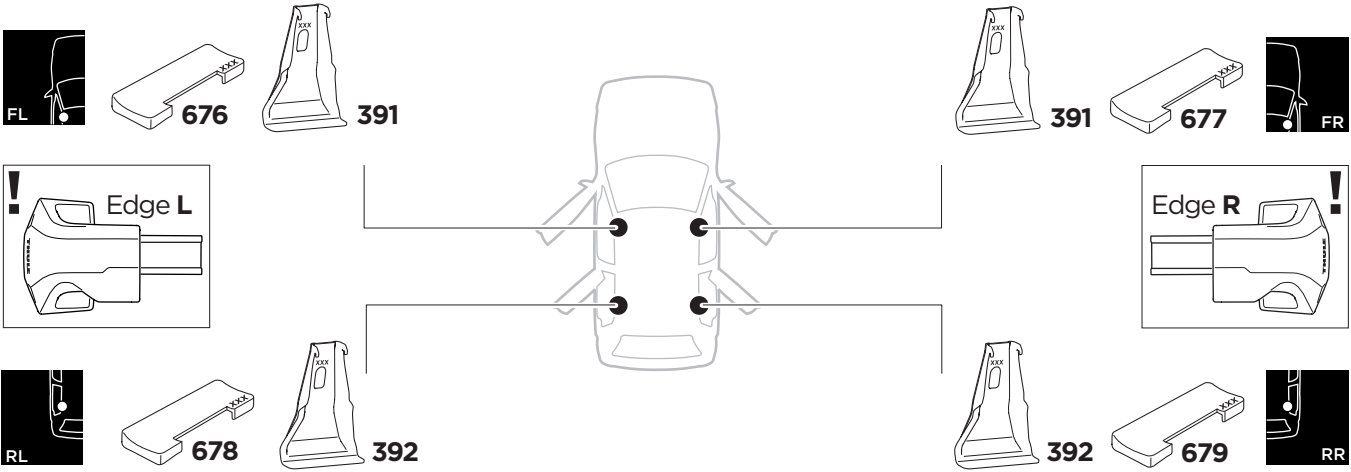
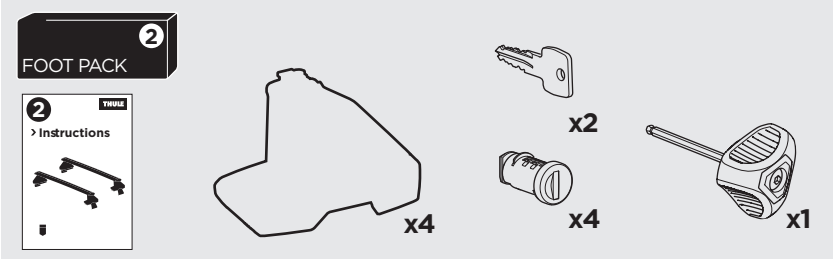
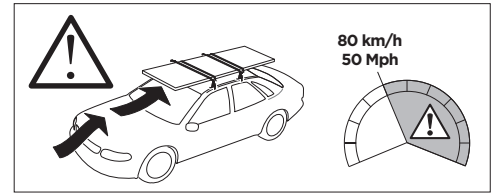
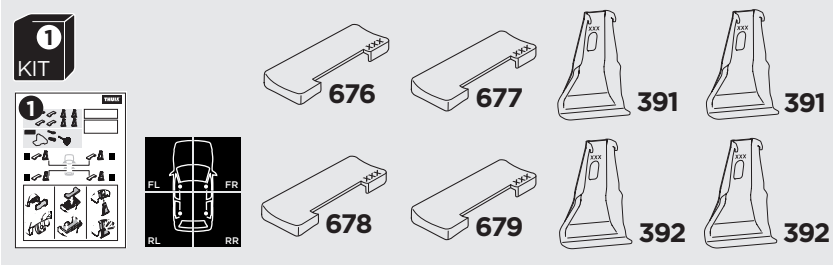
1

Kit 145211

NISSAN Altima, 4-dr Sedan, 19-



ISO 11154-E





THULE WingBar Evo	THULE WingBar Edge	THULE WingBar	THULE SquareBar	Evo X (scale)	Edge X (scale)
NISSAN Altima, 4-dr Sedan, 19-				43,5	J

THULE ProBar	THULE SlideBar	X (mm/inch)		
NISSAN Altima, 4-dr Sedan, 19-		1086 mm / 42 3/4"		



THULE WingBar Evo	THULE WingBar Edge	THULE WingBar	THULE SquareBar	Evo Y (scale)	Edge Y (scale)
NISSAN Altima, 4-dr Sedan, 19-				40,5	P

THULE ProBar	THULE SlideBar	Y (mm/inch)		
NISSAN Altima, 4-dr Sedan, 19-		1056 mm / 41 5/8"		

	W (mm/inch)	Z (mm/inch)
NISSAN Altima, 4-dr Sedan, 19-	670 mm / 26 1/4"	300 mm / 11 3/4"

